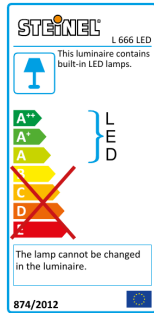


Sensor-switched outdoor light - Professional Line

L 666 LED

V2 Anthracite

EAN 4007841 053116



LED

30 years (Ø 4,5h / day)



3000K warm-white



infrared sensor 360°



max. 7 m



IP44



2 - 1000 lux



5 sec - 15 min



soft light start



10% basic brightness



manual override

Function description

Intelligent guide. Designer sensor-switched outdoor light L 666 LED, ideal for building walls and entrance areas, perfect addition to the L 665 LED, 9 W STEINEL LED light system, 360° angle of coverage, reach up to 7 m, basic light-level function, soft light start, includes sheet of house numbers.

L 666 LED

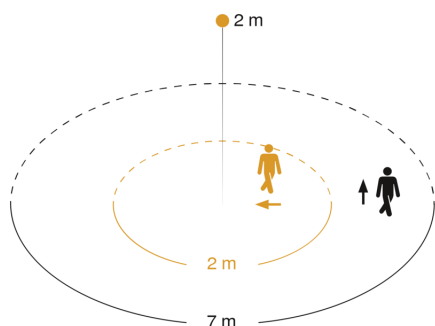
V2 Anthracite
EAN 4007841 053116

Technical specifications

Dimensions (L x W x H)	122 x 102 x 269 mm
Mains power supply	220 – 240 V / 50 – 60 Hz
Mounting height max.	2,50 m
Sensor Technology	passive infrared
Output	9 W
Interconnection	Yes
Slave modeselectable	No
Luminous flux	595 lm
Efficiency	66 lm/W
Colour temperature	3000 K
Colour variation LED	SDCM3
Colour Rendering Index CRI	80-89
With lamp	Yes, STEINEL LED system
Lamp	LED cannot be replaced
LED life expectancy (max. °C)	50000 h
Base	without
LED cooling system	Passive Thermo Control
With motion detector	Yes
Detection angle	360 °
Sneak-by guard	Yes
Capability of masking out individual segments	Yes
Electronic scalability	No

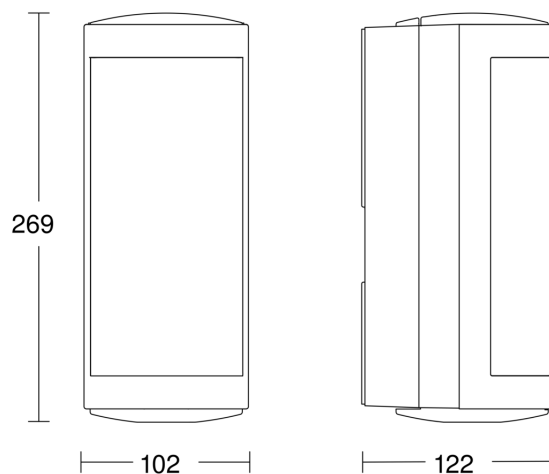
Mechanical scalability	No
Reach, radial	r = 2 m (13 m ²)
Reach, tangential	r = 7 m (154 m ²)
Photo-cell controller	Yes
Twilight setting	2 – 2000 lx
Time setting	5 s – 15 Min.
Basic light level function	Yes
Basic light level function time	10/30 min, all night
Functions	4 programme settings geared to practical needs, can be selected on removable sensor module
Soft light start	Yes
Continuous light	selectable, 4h
Impact resistance	IK07
IP-rating	IP44
Protection class	I
Ambient temperature	-20 – 50 °C
Housing material	Aluminium
Cover material	Plastic, opal
Manufacturer's Warranty	5 years
Settings via	Potentiometers
Cover material	shrouds
Version	Anthracite
PU1, EAN	4007841053116

Detection Zone



Mögliche Montagehöhe: 1,80 m – 2,50 m
Orange: radial
Schwarz: tangential

Dimension Drawing

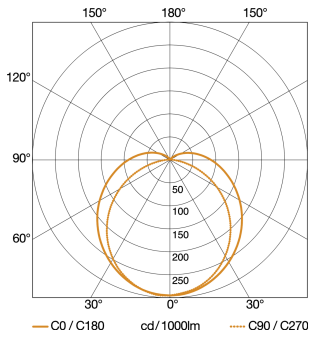


L 666 LED

V2 Anthracite

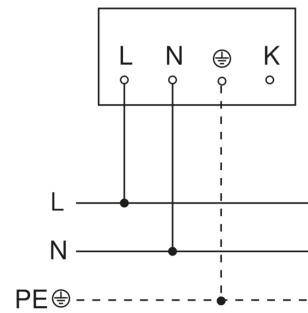
EAN 4007841 053116

Light Distribution Curve



Output	9 W
With lamp	Yes, STEINEL LED system
Lamp	LED cannot be replaced
Luminous flux	595 lm
Colour temperature	3000 K
Colour Rendering Index CRI	80-89
LED life expectancy (max. °C)	50000 h
LED cooling system	Passive Thermo Control

Master circuit diagram



Master/master interconnection circuit diagram

